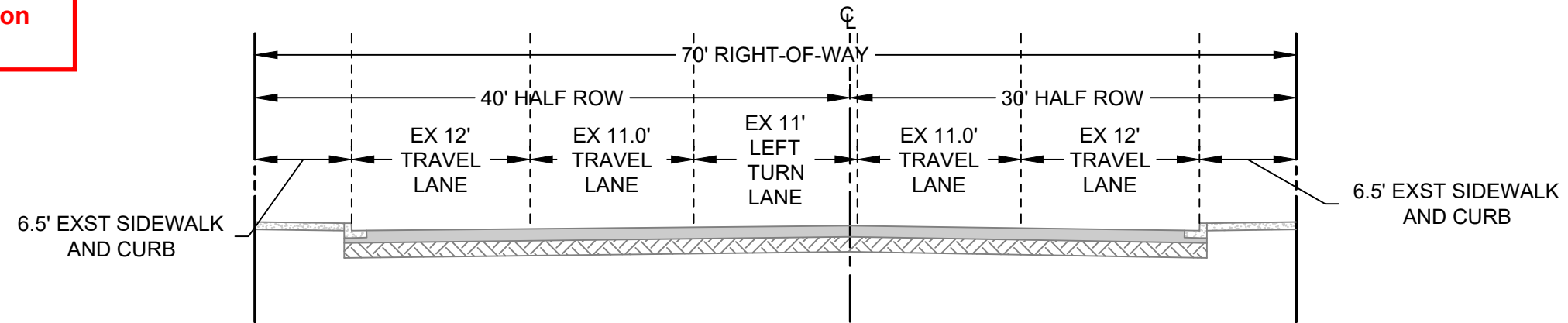
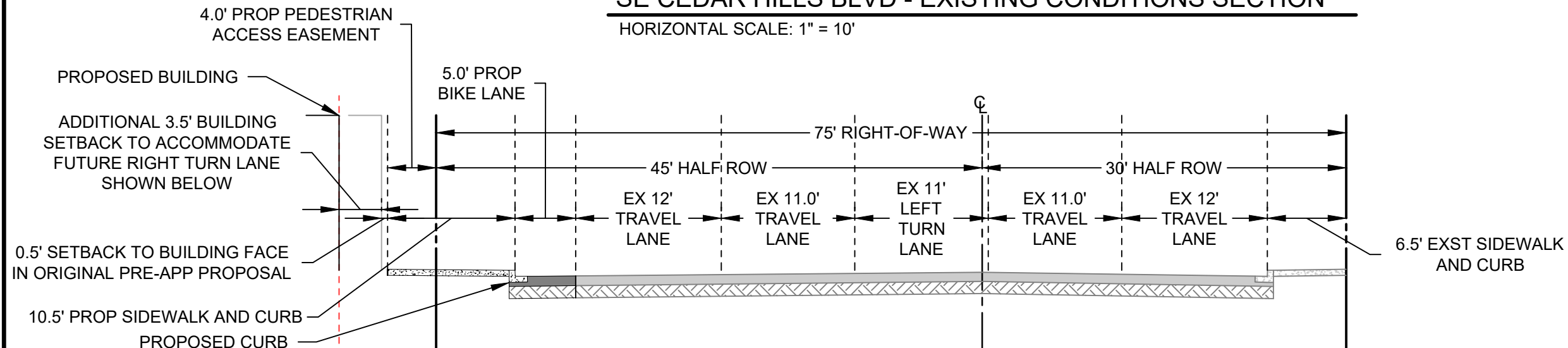


Received  
Planning Division  
4/20/2022



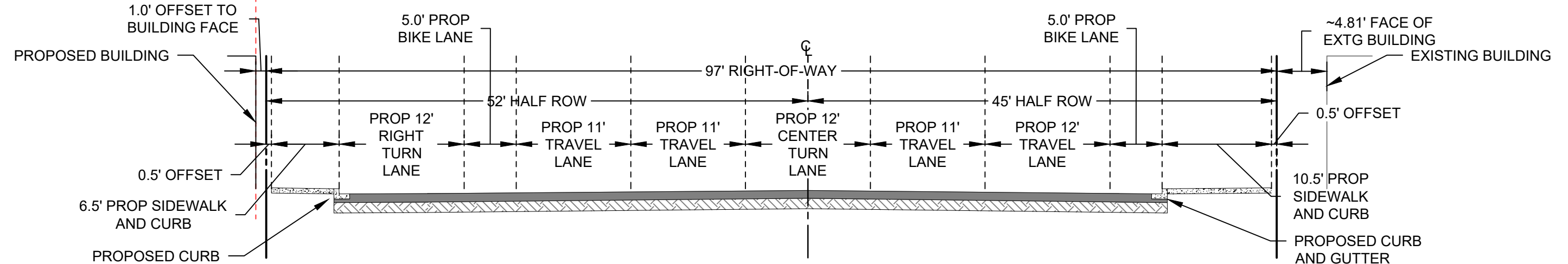
**SE CEDAR HILLS BLVD - EXISTING CONDITIONS SECTION**

HORIZONTAL SCALE: 1" = 10'



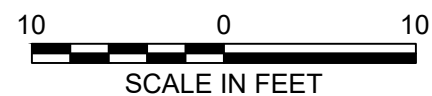
**SE CEDAR HILLS BLVD - CURRENT PROPOSAL**

HORIZONTAL SCALE: 1" = 10'



**SE CEDAR HILLS BLVD - FUTURE RIGHT TURN LANE SECTION**

HORIZONTAL SCALE: 1" = 10'



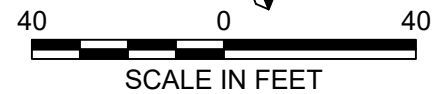
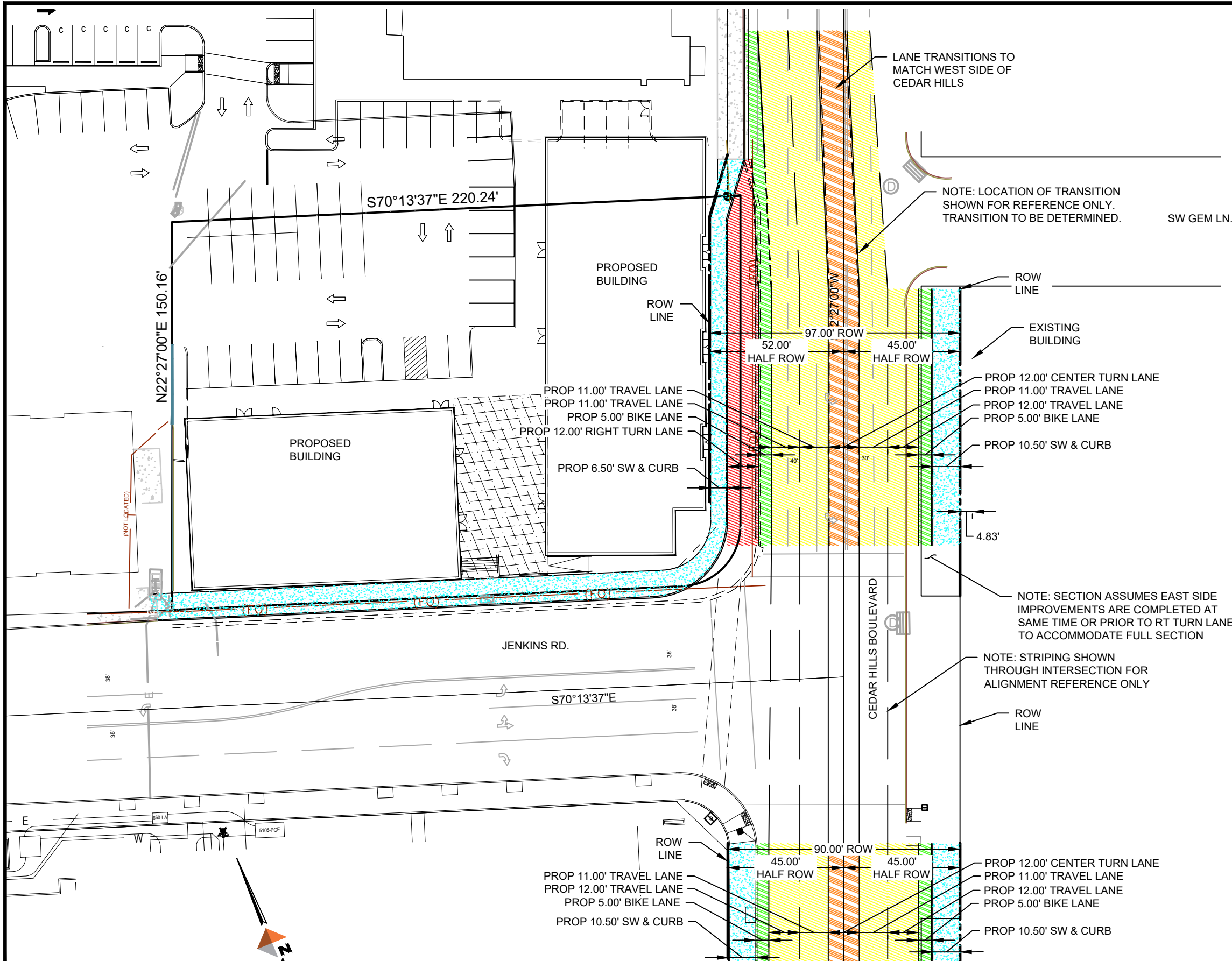
SW CEDAR HILLS BLVD  
CROSS SECTION EXHIBIT  
BEAVERTON, OREGON

PROJECT 14760-01  
DATE 02/11/2021

EXHIBIT #1

I:\BL-FS\BIL-Projects\2214760-01\65CAD\Exhibits - Renderings\2021-02-02-CH Sections\2021-02-02 - CH CROSS SECTIONS EXHIBIT.dwg PLOT DATE 2021-02-12 10:36 SAVED DATE 2021-02-12 10:35 USER: ogayvt

Q:\221\14760-01\SECAD\Exhibits - Renderings\2021-02-02-CH Sections\2021-02-02 - CH CROSS SECTIONS EXHIBIT.dwg PLOT DATE 2021-02-12 10:37 USER: mlwle



SW CEDAR HILLS BLVD  
FUTURE RIGHT TURN LANE PLAN VIEW EXHIBIT  
BEAVERTON, OREGON

PROJECT	14760-01
DATE	02/11/2021

EXHIBIT #2